



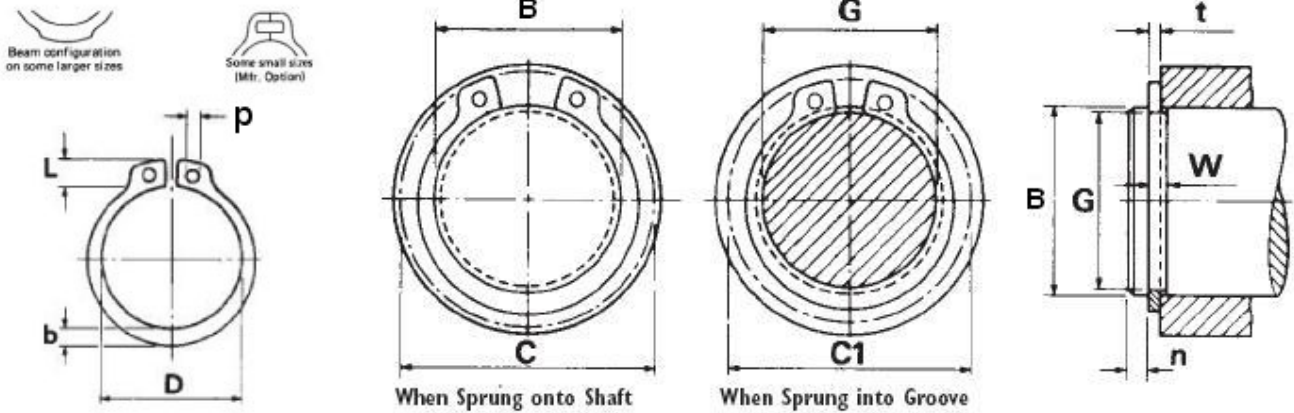
www.americanringmfg.com

5100-025 Retaining Ring Spec Sheet



Part Number: 5100-025

5100 Series - External Retaining Ring With Lugs



Ring Specs

(D) Free Diameter:	0.225 +0.002 / -0.004 in.
(t) Thickness:	0.025 +0.002 / -0.002 in.
(b) Radial Wall:	

Groove Specs:

(B) Application Diameter:	0.250	in.
(G) Groove Diameter:	0.230 +0.002 / -0.002	in.
(W) Groove Width:	0.029 +0.003 / -0.000	in.
Groove Depth:	0.010	in.

Other Specs

Approximate Weight per 1000:	0.210	lbs.
(C1) Clearance Diameter & Gauging Diameter Seated in Groove	0.430	in.
(C) Clearance Diameter Expanded Over Shaft	0.450	in.

