



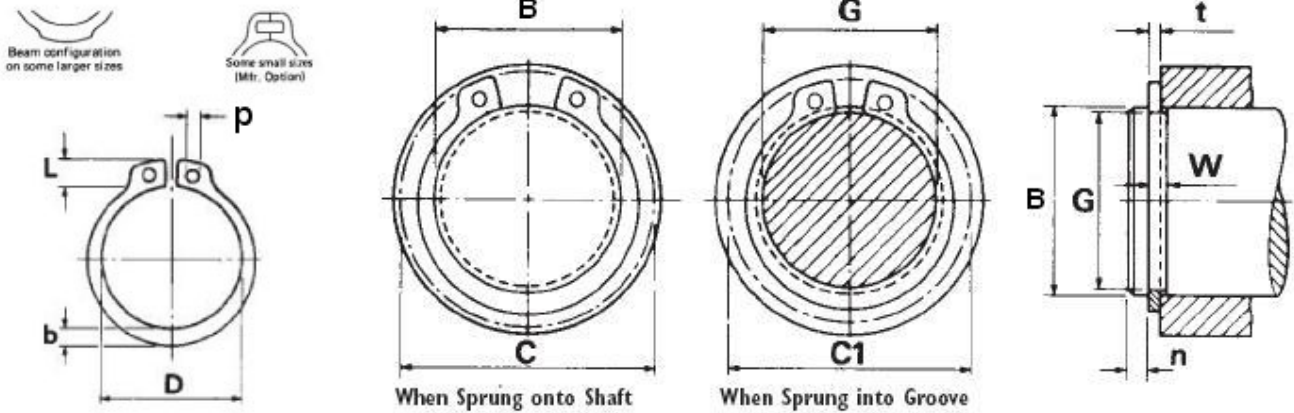
www.americanringmfg.com

## 5100-062 Retaining Ring Spec Sheet



**Part Number: 5100-062**

5100 Series - External Retaining Ring With Lugs



### Ring Specs

<b>(D) Free Diameter:</b>	0.579 +0.005 / -0.010 in.
<b>(t) Thickness:</b>	0.035 +0.002 / -0.002 in.
<b>(b) Radial Wall:</b>	

### Groove Specs:

<b>(B) Application Diameter:</b>	0.625 in.
<b>(G) Groove Diameter:</b>	0.588 +0.003 / -0.003 in.
<b>(W) Groove Width:</b>	0.039 +0.003 / -0.000 in.
<b>Groove Depth:</b>	0.018 in.

### Other Specs

<b>Approximate Weight per 1000:</b>	1.300 lbs.
<b>(C1) Clearance Diameter &amp; Guaging Diameter Seated in Groove</b>	0.870 in.
<b>(C) Clearance Diameter Expanded Over Shaft</b>	0.900 in.

