

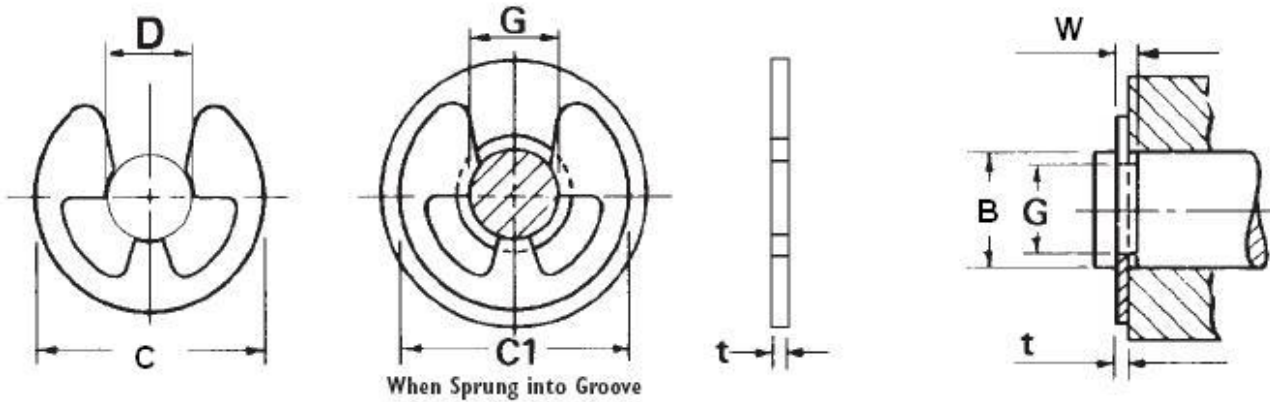


www.americanringmfg.com

## 5133-025 Retaining Ring Spec Sheet



**Part Number: 5133-025**  
5133 Series - E-Ring



### Ring Specs

<b>(D) Free Diameter:</b>	0.207	+0.001 / -0.003	in.
<b>(t) Thickness:</b>	0.025	+0.002 / -0.002	in.
<b>(b) Radial Wall:</b>			

### Groove Specs:

<b>(B) Application Diameter:</b>	0.250		in.
<b>(G) Groove Diameter:</b>	0.210	+0.003 / -0.000	in.
<b>(W) Groove Width:</b>	0.029	+0.003 / -0.000	in.
<b>Groove Depth:</b>	0.020		in.

### Other Specs

<b>Approximate Weight per 1000:</b>	0.760	lbs.
<b>(C) Free Outside Diameter</b>	0.527	in.
<b>(C1) Outside Diameter Installed in Groove</b>	0.540	in.

