

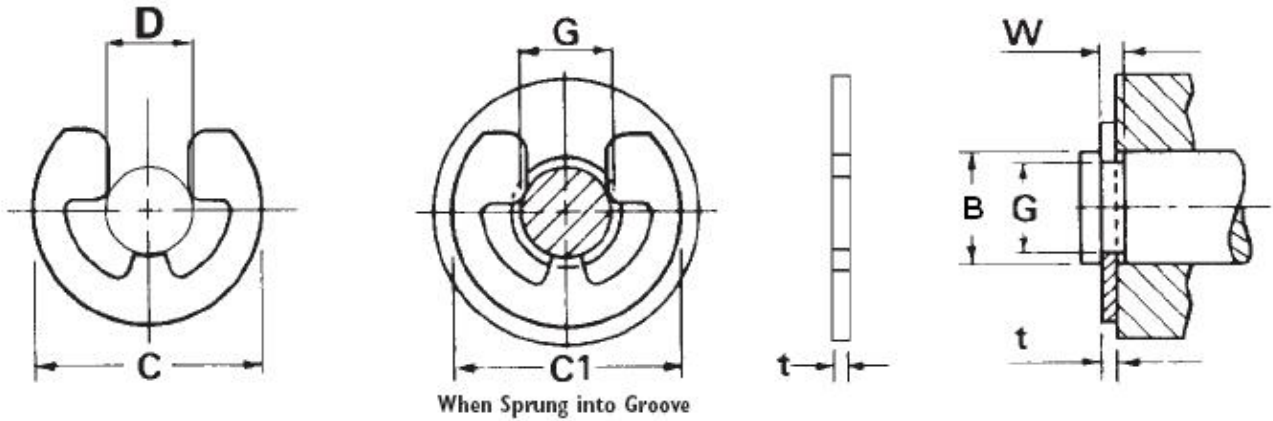


www.americanringmfg.com

5144-009 Retaining Ring Spec Sheet



Part Number: 5144-009
5144 - Reinforced E Ring



Ring Specs

(D) Free Diameter:	0.072	+0.001 / -0.003	in.
(t) Thickness:	0.015	+0.002 / -0.002	in.
(b) Radial Wall:			

Groove Specs:

(B) Application Diameter:	0.094		in.
(G) Groove Diameter:	0.074	+0.002 / -0.000	in.
(W) Groove Width:	0.018	+0.002 / -0.000	in.
Groove Depth:	0.010		in.

Other Specs

Approximate Weight per 1000:	0.070	lbs.
(C) Free Outside Diameter	0.206	in.
(C1) Clearance Diameter when Sprung into Groove	0.219	in.

