

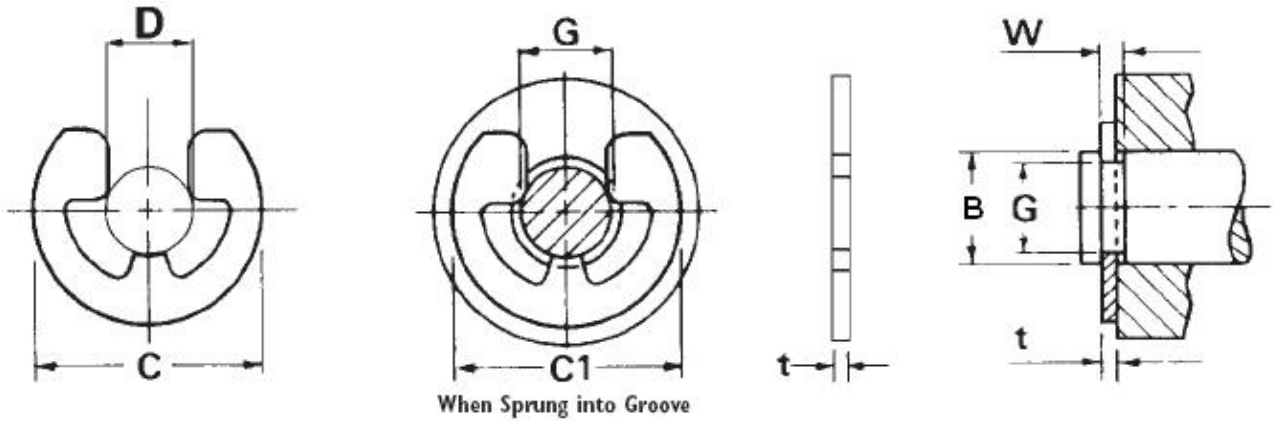


www.americanringmfg.com

5144-015 Retaining Ring Spec Sheet



Part Number: 5144-015
5144 - Reinforced E Ring



Ring Specs

| | | | |
|---------------------------|-------|-----------------|-----|
| (D) Free Diameter: | 0.113 | +0.002 / -0.003 | in. |
| (t) Thickness: | 0.025 | +0.002 / -0.002 | in. |
| (b) Radial Wall: | | | |

Groove Specs:

| | | | |
|----------------------------------|-------|-----------------|-----|
| (B) Application Diameter: | 0.156 | | in. |
| (G) Groove Diameter: | 0.116 | +0.002 / -0.000 | in. |
| (W) Groove Width: | 0.029 | +0.003 / -0.000 | in. |
| Groove Depth: | 0.020 | | in. |

Other Specs

| | | |
|--|-------|------|
| Approximate Weight per 1000: | 0.310 | lbs. |
| (C) Free Outside Diameter | 0.335 | in. |
| (C1) Clearance Diameter when Sprung into Groove | 0.350 | in. |

