

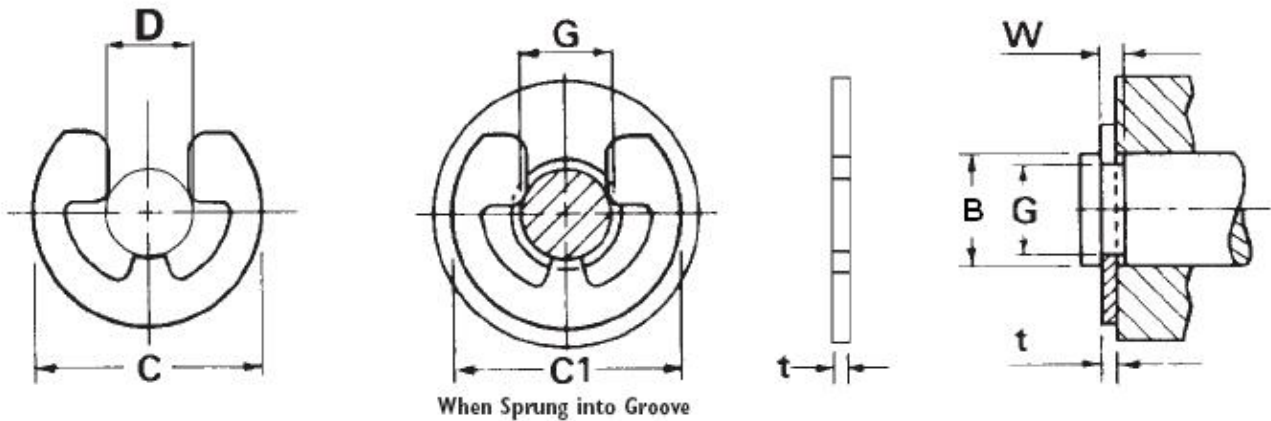


www.americanringmfg.com

## 5144-031 Retaining Ring Spec Sheet



**Part Number: 5144-031**  
5144 - Reinforced E Ring



### Ring Specs

<b>(D) Free Diameter:</b>	0.242	+0.003 / -0.003	in.
<b>(t) Thickness:</b>	0.025	+0.002 / -0.002	in.
<b>(b) Radial Wall:</b>			

### Groove Specs:

<b>(B) Application Diameter:</b>	0.312		in.
<b>(G) Groove Diameter:</b>	0.250	+0.003 / -0.003	in.
<b>(W) Groove Width:</b>	0.039	+0.003 / -0.000	in.
<b>Groove Depth:</b>	0.031		in.

### Other Specs

<b>Approximate Weight per 1000:</b>	1.200		lbs.
<b>(C) Free Outside Diameter</b>	0.588		in.
<b>(C1) Clearance Diameter when Sprung into Groove</b>	0.610		in.

