



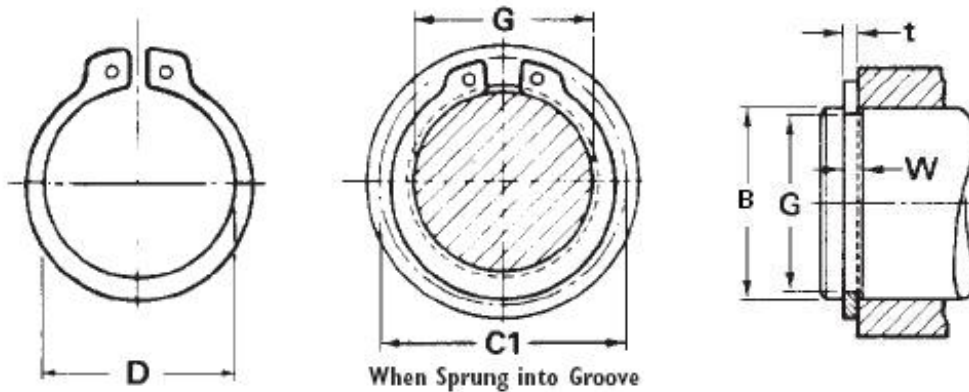
www.americanringmfg.com

5160-118 Retaining Ring Spec Sheet



Part Number: 5160-118

5160 Series - Heavy Duty External Ring With Lugs



Ring Specs

(D) Free Diameter:	1.087	+0.010 / -0.015	in.
(t) Thickness:	0.093	+0.003 / -0.003	in.
(b) Radial Wall:			

Groove Specs:

(B) Application Diameter:	1.181		in.
(G) Groove Diameter:	1.111	+0.002 / -0.004	in.
(W) Groove Width:	0.103	+0.005 / -0.000	in.
Groove Depth:	0.035		in.

Other Specs

Approximate Weight per 1000:	13.500		lbs.
(C1) Clearance Diameter When Sprung Into Groove	1.570		in.

(C1) Clearance Diameter When Sprung Into Groove 1.570 in.