



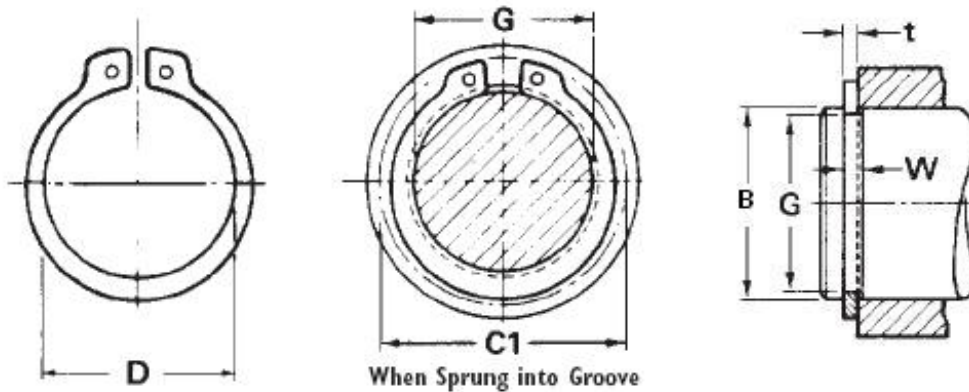
www.americanringmfg.com

## MS3217-3106 Retaining Ring Spec Sheet



**Part Number: MS3217-3106**

MS3217 - External Heavy Duty Retaining Ring



### Ring Specs

<b>(D) Free Diameter:</b>	0.978	+0.010 / -0.015	in.
<b>(t) Thickness:</b>	0.093	+0.003 / -0.003	in.
<b>(b) Radial Wall:</b>			

### Groove Specs:

<b>(B) Application Diameter:</b>	1.062		in.
<b>(G) Groove Diameter:</b>	0.998	+0.002 / -0.004	in.
<b>(W) Groove Width:</b>	0.103	+0.005 / -0.000	in.
<b>Groove Depth:</b>	0.032		in.

### Other Specs

<b>Approximate Weight per 1000:</b>	11.500		lbs.
<b>(C1) Clearance Diameter When Sprung Into Groove</b>	1.460		in.

