



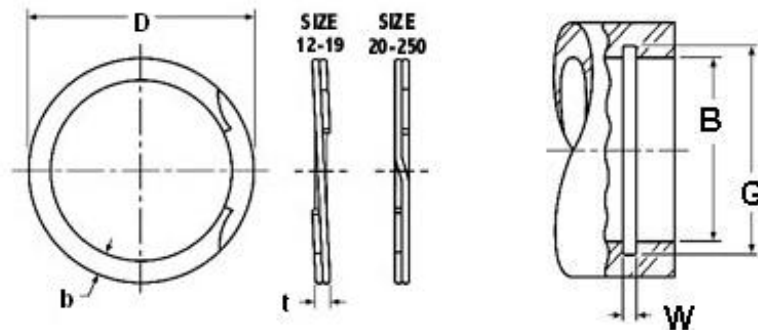
www.americanringmfg.com

ZRH-029 Retaining Ring Spec Sheet



Part Number: ZRH-029

ZRH Series - Heavy Duty Spiral Retaining Ring



Ring Specs

(D) Free Diameter:	31.22	+0.36 / -0.00	mm.
(t) Thickness:	1.27	+0.05 / -0.05	mm.
(b) Radial Wall:	2.62	0.08 / -0.13	mm.

Groove Specs:

(B) Application Diameter:	29.01		mm.
(G) Groove Diameter:	30.96	+0.10 / -0.10	mm.
(W) Groove Width:	1.40	+0.10 / -0.00	mm.
Groove Depth:	0.97		mm.

Other Specs

Approximate Weight per 1000:	0.000		kg.
(N) Ring Number of Turns	50.80		mm.
(m) Material Thickness	0.61		mm.

